



## *User's Manual*

### **Table of Contents**

Introduction & General Information.....	1
Standard included Accessories.....	2
Pedal Board: Warnings & Cautions.....	2
Power Supply Mounting: Warnings & Cautions.....	2
Component I.D. & Features Drawing 1 of 4 (XTA Modules).....	3
Component I.D. & Features Drawing 2 of 4 (Module Joining Options).....	4
Component I.D. & Features Drawing 3 of 4 (Adapter and Riser).....	5
Component I.D. & Features Drawing 4 of 4 (Power Supply Mounting) .....	6
Securing effects pedals.....	6
Specifications.....	7
Warranty.....	7

### **Introduction**

Accel's XTA series of tiered and non tiered pedal boards are a modular series that look as good as they are versatile and functional. Each XTA model is designed for versatility as a stand-alone pedal board or can be linked together as your pedal board demands increase using any other Accel pedal board module. The different sizes and shapes of each XTA module and accessories gives you more freedom to configure your pedal board set up to best suit you. The XTA series are built rock solid with an aircraft grade aluminum sheet metal shell with supports independently welded to the shell to handle the abuse's of the road.

Each XTA pedal board is equipped with a front load universal power supply bay that easily accepts most manufactures power supplies and also has mounting holes to easily install and secure our fully isolated and regulated "Power Source 8" power supply and can be oriented with the AC Input & AC Auxiliary output facing out or turned around with the 8 DC outputs facing out.

The virtually, infinite number of pedal board configurations make it easy to design your Accel pedal board in a way that works best for you.

Each Accel pedal board is available in hard and soft shell cases.

Read all Warning, Cautions & Instructions before adding accessories such as a power supply, hook and loop adhesive backed tape, wire routing etc...

**Standard accessories included with:**

- 1) User's Manual
- 2) Adhesive backed hook and loop tape
- 3) Two 1 3/8" Grommets for AC wire Routing
- 4) Two Hole Plugs (For XTA25 models only)
- 5) Tie wraps
- 6) Mounting feet (Installed)

**Warnings and Cautions:**

**Warning:** The XTA series of pedal board modules and accessories are designed for the sole use as an effects pedal board and not intended to be used in any other way. Using this product in any way other than its intended use may result in injury.

**Caution:** Using XTA series of pedal board modules and accessories other than its intended use may result in damage to the product.

**AC Wire Routing:**

**Warning:** Route any AC wires or cables through the front bay opening of the pedal board or being sure to install the grommet through the 1 3/8" circular side opening on either side of the pedal board then routing the AC wire or cable through the circular side opening.

**Warnings and Cautions when mounting an Accel "Power Source 8" power supply.**

**Warning:** Using screws that are longer than the supplied 8mm long screws could result in electrical shock or death.

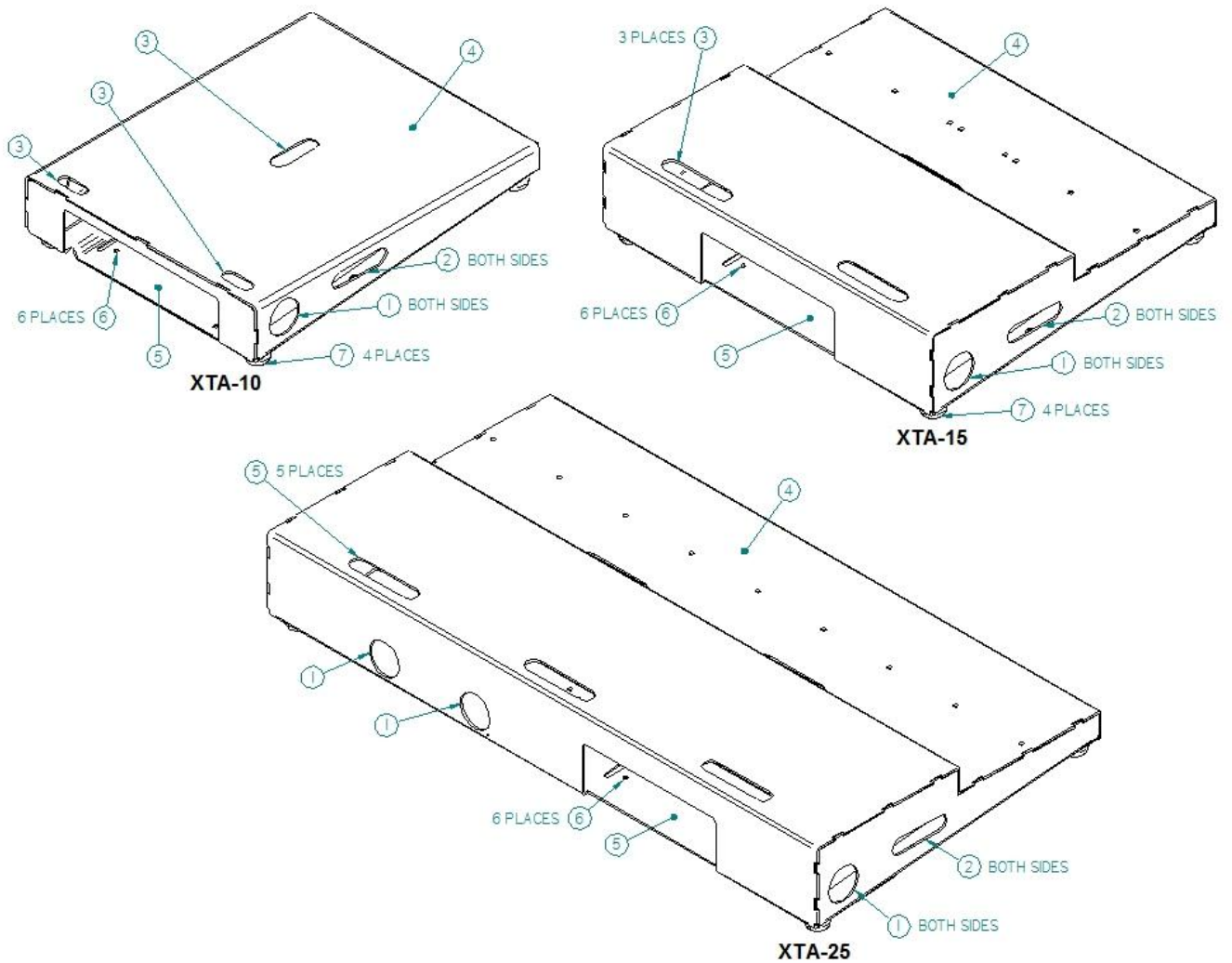
**Caution:** If you loose your M4 metric thread x 8mm long mounting screws replace only with another M4 X 8mm long screw. Using the wrong screw thread or over torqueing the screws will strip thread and void warranty on the casing.

**Warnings and Cautions when mounting another other manufacturers power supply.**

**Warning:** When mounting a power supply . Mount your specific manufacturers power supply per that manufacturers power supply mounting instructions to prevent risk of electrical shock , fire or death.

**Caution:** When mounting power supply. To avoid damage or overheating to the power supply mount per specific manufacturers mounting instructions.

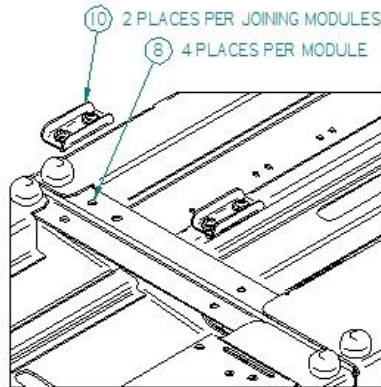
**Component I.D. & Features Drawing 1 of 4 (XTA Modules I.D.):**



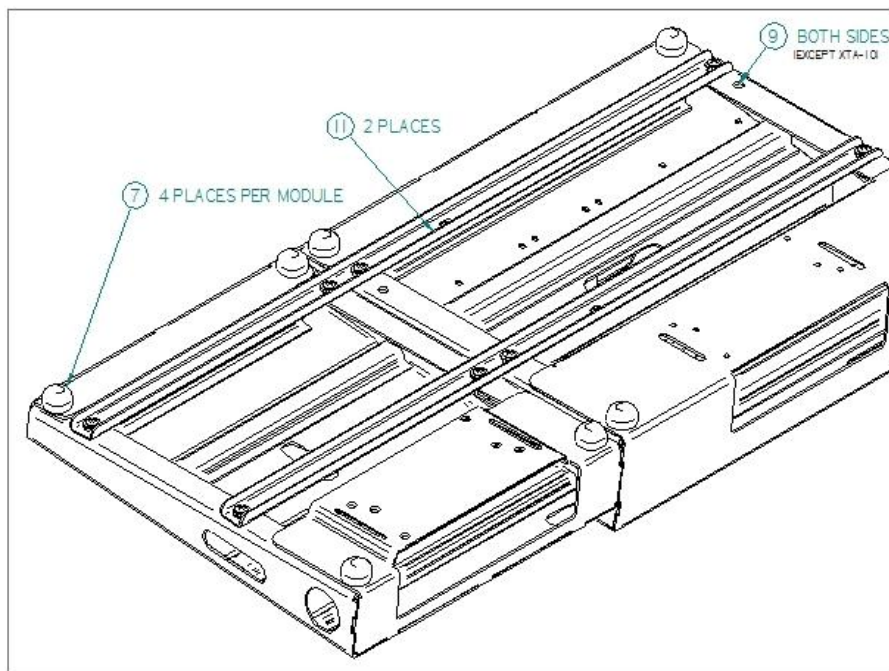
- 1) AC cable and wire routing hole with grommet.
- 2) Left to Right DC current cable routing slots.
- 3) Top feed through routing slots for effects pedal to power supply.
- 4) Landing area for effects pedals.
- 5) Front load power supply mount bay.
- 6) Power supply mounting holes for Accel power supplies.

**Component I.D. & Features Drawing 2 of 4 (Module Joining Options):**

**LINKING OPTION**

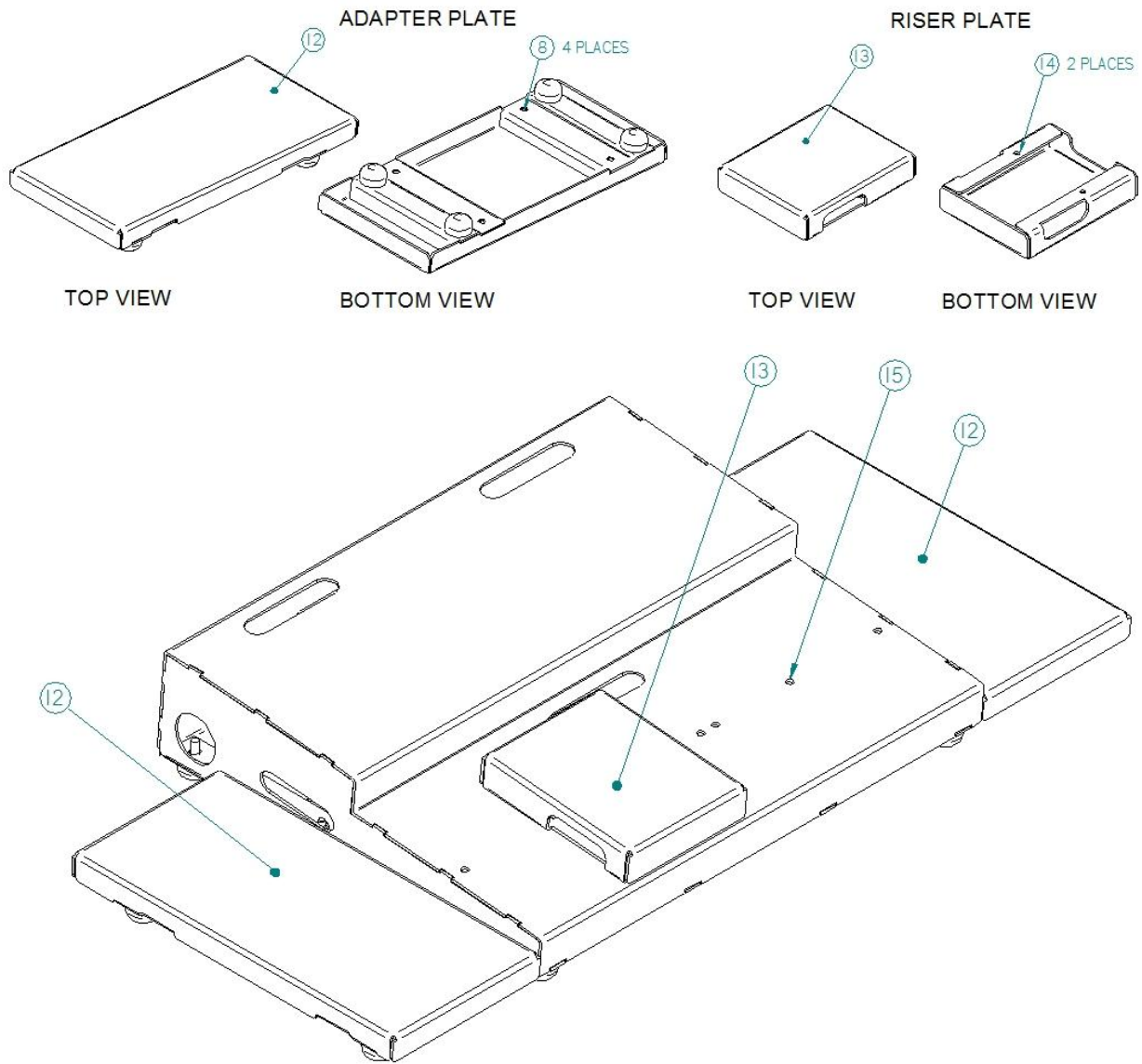


**RAIL OPTION**



- 7) Pedal board feet .The feet height can be adjustable by adding washers between the feet and the bottom of the pedal board for uneven floors. (Washers not included).
- 8) M5 metric threaded holes for Joining Links or Joining Rails
- 9) Riser screw driver access hole.
- 10) Link Option (Link Assy: 2 Links,4 M5 thread metric screws, 4 flat washers 4 lock washers).
- 11) Rail Option (Rail Assy: 2 Rails, 8 M5 thread metric screws, 8 flat washers 8 lock washers)

**Component I.D. & Features Drawing 3 of 4 (Adapter & Riser):**



ONE EXAMPLE OF THE VIRTUALLY ENDLESS NUMBER OF  
XTA MODULAR CONFIGURATIONS

- 8) M5 metric threaded holes for Joining Links or Joining Rails
- 12) Adapter Plate (Sold Separately)
- 13) Riser (Sold separately)
- 14) M4 metric threaded mounting holes.
- 15) Riser mounting holes

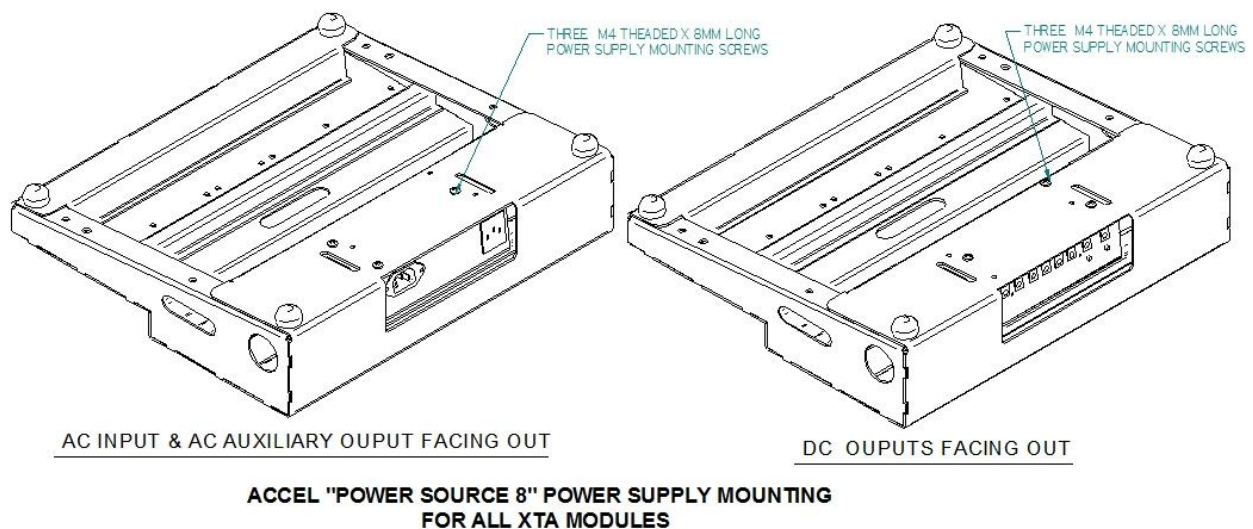
## Component I.D. & Features Drawing 4 of 4(power supply mounting):

### Power Supply Mounting Instructions:

#### Accel "Power Source 8" power supply:

Mounting an Accel power supply to an Accel pedal board is as about hassle free as it gets. Simply choose which direction you would like facing out. The AC Input & AC Auxiliary Output side **or** the 8 DC Output side of the power supply and mount with the supplied customer mounting screws.

If you loose your M4 metric thread x 8mm long mounting screws replace only with another M4 X 8mm long screw. Using the wrong screw thread or over torqueing the screws willl strip thread and void warranty on the casing.



#### Other Manufacturers Power Supplies:

Mount per your manufacturers mounting instructions. The following methods of mounting are suggestions and "Only if these suggestions comply with your power supply manufacturers mounting instructions".

1) Drill per your manufacturers customer power supply or adapter bracket mounting holes and instructions.

**OR**

2) Place a strip of adhesive backed "hook" or "loop" tape on the bay of the pedal board surface between the pedal board and power supply, then place the mating adhesive backed "hook" or "loop" side to the bottom of the power supply.

#### Securing your effects pedals:

**Using the supplied standard adhesive back hook and loop tape or the stronger holding 3M Dual Lock (sold separately).**

Cut two strips of the mating end adhesive backed tape to a length that is ½" less than the width of the total pedal board about 1 to 2 inches apart. Then cut the supplied ,mating side of the adhesive backed tape to the bottom side of the clean metal surface of the effects pedal. Repeat this method for each row of pedals.

## **Specifications**

### **XTA-10**

Style: Angled Non Tiered  
Material: .080" Aluminum  
Color: Black  
10.50" W X 13.00" DP X 2.50" H

### **XTA-15**

Style: Angled Tiered  
Material: .080" Aluminum  
Color: Black  
15.00" W X 13.00" DP X 3.50" H

### **XTA-25**

Style: Angled Tiered  
Material: .080" Aluminum  
Color: Black  
25.00" W X 13.00" DP X 3.50" H

### **XTA ADAPTER**

Style: Flat  
Material: .080" Aluminum  
Color: Black  
5.00" W X 11.00" DP X 1.50" H

### **XTA RISER**

Style: Flat  
Material: .080" Aluminum  
Color: Black  
4.00" W X 5.00" DP X 1.00" H  
(Rises in line with the second tier)

## **Limited 5 Year Warranty**

This warranty covers any defects or malfunctions in your new Accel XTA Pedal Board. This a 5 year limited warranty for the original registered purchaser. Accel will fix or replace any defective units with the first 5 years from the purchase date. Fixing or replacing the unit will be at Accels discretion. Any problem that is caused by abuse, misuse, or an act of God (such as an earth quake) are not covered. In order to be eligible for service under this warranty you must return the warranty registration card attached below within 30 days of purchasing the aid.

If something goes wrong with your Accel XTA series pedal board , send it postage paid with a brief written description of the problem to:

Accel Technologies LLC;  
5505 East Santa Ana Canyon Rd.  
#17057  
Anaheim, CA 92817

This warranty gives you specific legal rights, and you may also have other rights which vary from state to state.

## **Accel Technologies, LLC.**

P.O. BOX 17057 Anaheim, CA 92817 U.S.A.  
Email: support@accelaudio.com

